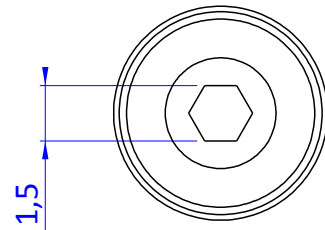
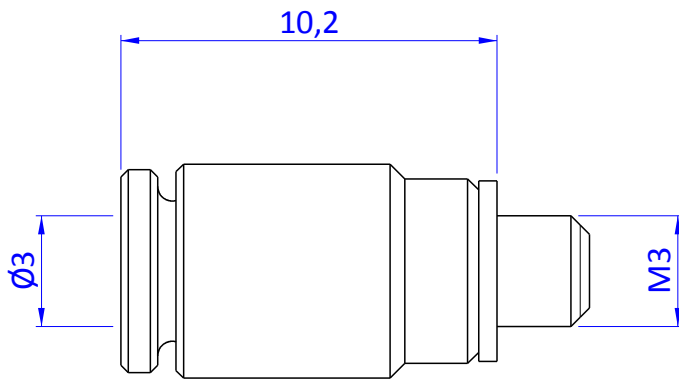
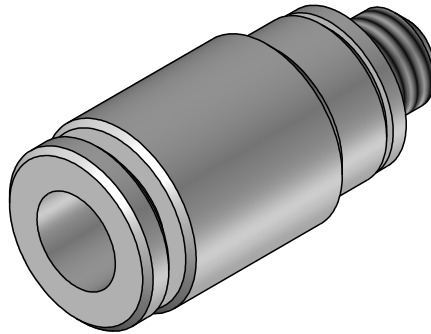



THE PROPERTY OF THE DRAWING IS ESTABLISHED BY LAW. IT IS FORBIDDEN TO PRODUCE OR SHOW IT TO THIRD PART. WITHOUT A WRITTEN AGREEMENT.



Format A4 UNI 936-76			DESIGNED FROM <b>FPS Automation</b>		REVIEW <b>A</b>
			DATE <b>06/08/2016</b>	WEIGHT <b>0.001Kg</b>	
	GENERAL TOLERANCE UNI - ISO 2768 CLASSE f	DESCRIPTION  <b>CA.12.05.023</b>	CODE <b>CA.12.05.023</b>		